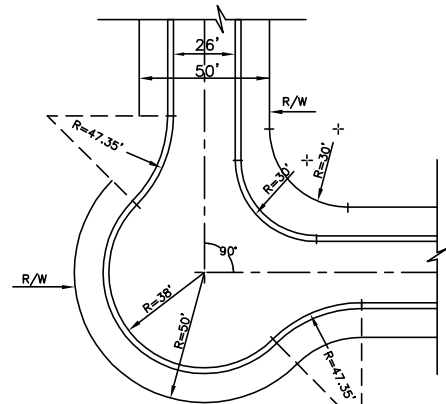
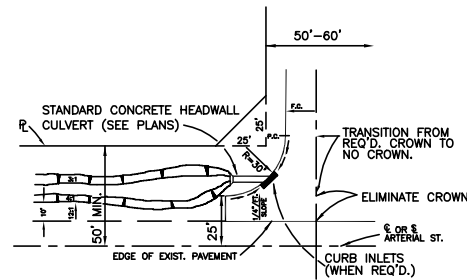


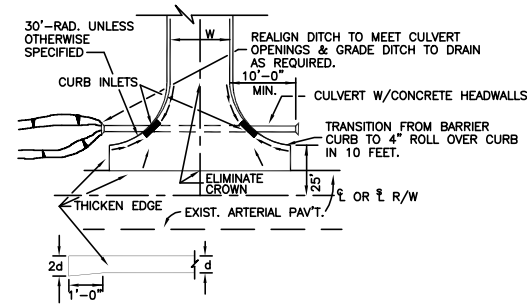
RESIDENTIAL CUL-DE-SAC
NOT TO SCALE



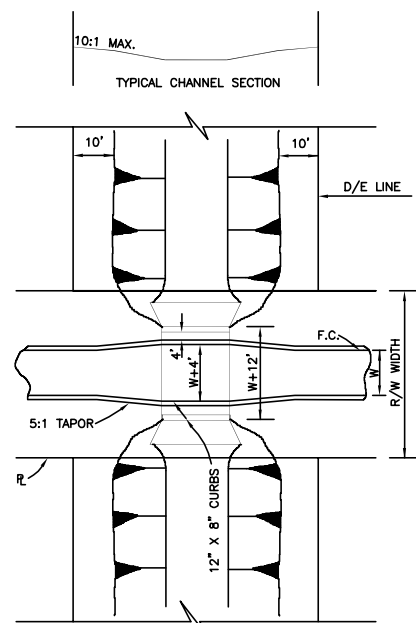
TYPICAL L INTERSECTION LOCAL RESIDENTIAL STREET
NOT TO SCALE



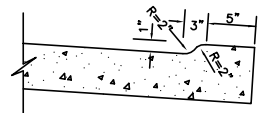
TYPICAL DESIGN STANDARD FOR SUBDIVISION CONSTRUCTION
NOT TO SCALE



NOT TO SCALE



RCB DESIGN STANDARD REQUIREMENT
NOT TO SCALE



LIP CURB TO BE USED WHERE CURB IS OMITTED
NOT TO SCALE

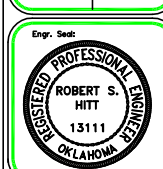
The City of Enid
401 West 2nd St., Enid, Oklahoma 73701
Telephone: (505) 234-8000 Fax: (505) 234-8046



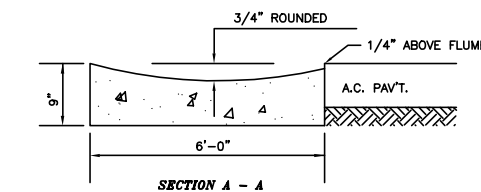
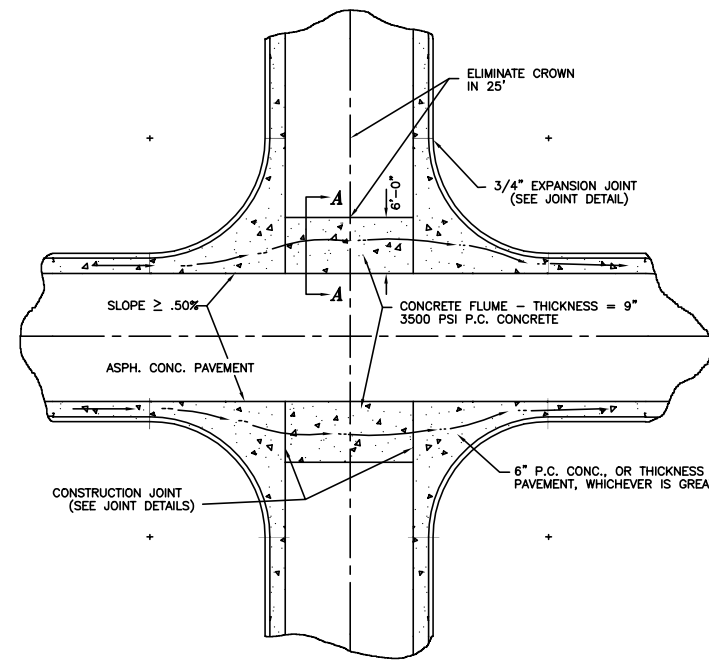
REVISIONS	Date	Description
1	10/10/81	This Sheet

Project Number:	Project Location:
-----------------	-------------------

Sheet Title:	Project Title:
--------------	----------------



Date:	8/1/81
Scale:	NO SCALE
Cad File:	G:\DATA\SPCS\PS-4
Drawn By:	P.B.
Designed By:	R.H.
Approved By:	R.H.
Sheet:	of



P.C. CONCRETE FLUME DETAIL

TO BE SPECIFIED WHERE WATER CROSSES A.C. PAVT. WIDTH MAY VARY AT LOCATIONS OTHER THAN INTERSECTIONS.

NOT TO SCALE

CONSTRUCTION NOTES:

1. CONCRETE FLUMES AND FILLETS SHALL BE CONSTRUCTED AND ALLOWED TO CURE 3 DAYS BEFORE A.C. PAVEMENT CONSTRUCTION BEGINS. IF H.E.S. IS USED CURING TIME SHALL BE A MINIMUM OF 1 DAY.

The City of Enid
401 West 2nd St., Enid, Oklahoma 73701
Telephone: (505) 234-8000 Fax: (505) 234-8046



REVISIONS	Date	Description
1	10/10/81	This Sheet

Project Number:	Project Location:
-----------------	-------------------

Sheet Title:	Project Title:
--------------	----------------



Date:	8/1/81
Scale:	NO SCALE
Cad File:	G:\DATA\SPCS\PS-4
Drawn By:	P.B.
Designed By:	R.H.
Approved By:	R.H.
Sheet:	of