


REAR ELEVATION
NOT TO SCALE

NOTES:

1. Construction sign shall conform to Section 35 of the Zoning Ordinance of the City of Enid.
2. All wood surfaces shall be painted with White enamel paint. Color of lettering shall be as directed by the City Engineer.
3. The Sign shall be the general obligation of the Contractor and shall remain on site until project acceptance. No separate pay item will be provided and the construction and maintenance of the Sign shall be considered incidental.


THE CITY OF ENID
 401 W. OWEN K. GARRIOTT
 ENID, OKLAHOMA
PROJECT NAME
 CONTRACT NO. _____
YOUR TAX DOLLARS AT WORK

ENGINEERING BY:
 CITY OF ENID
 401 W. OWEN K. GARRIOTT
 ENID, OK. 73701

CONTRACTOR:
 (BUSINESS NAME)
 (STREET ADDRESS)
 (CITY, ST., ZIP)

FRONT ELEVATION
NOT TO SCALE

Date: 6/1/00
 Scale: NO SCALE
 Cad File: G:\MIA\SPEC\M1
 Drawn By: CLH
 Designed By: TR
 Approved By: R.H.
 Sheet: 1 of 2

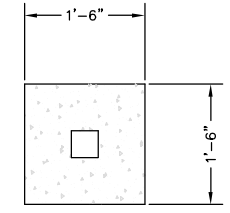
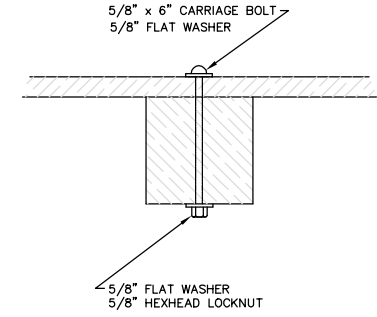
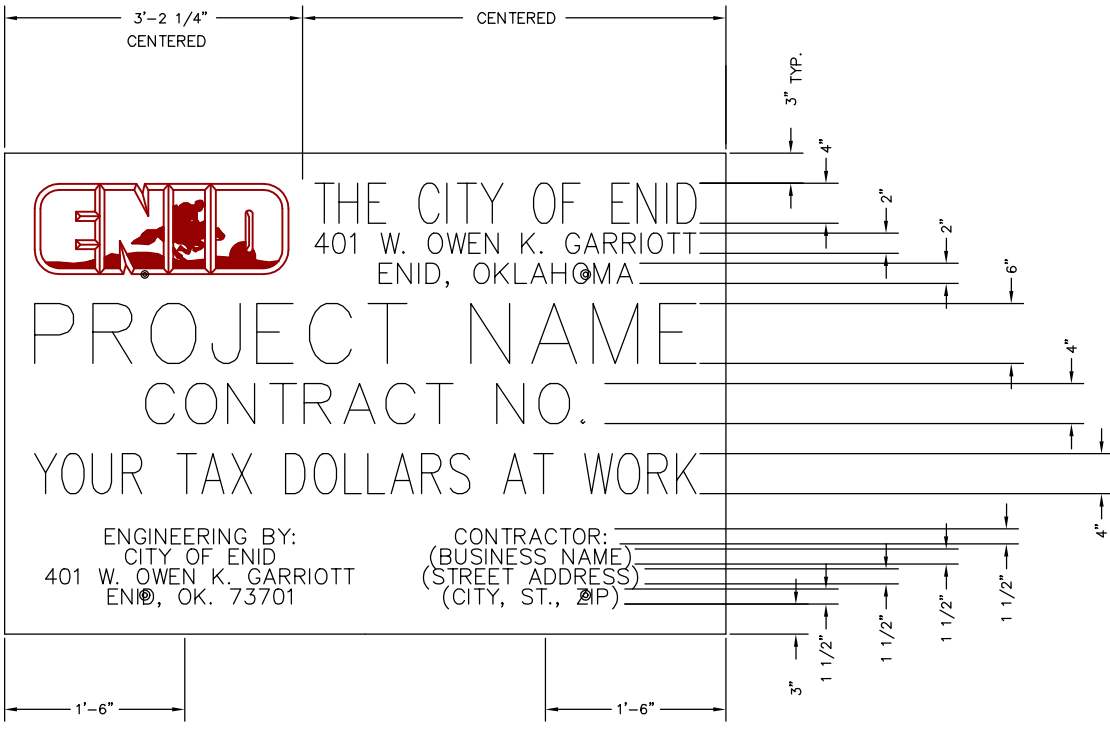


Sheet Title: CONSTRUCTION SIGN STANDARD
 Project Title: M - 1 SHT. 1

Project Number	Project Location

REVISIONS	Number	Date	Description

The City of Enid
 401 West Owen K. Garrriott Road
 Enid, Oklahoma 73701
 Telephone: (800) 234-8446 Fax: (800) 234-8446
Contacts:
 Robert Hill, Director of Engineering Services, Ext. 344
 Jason Bivens, Civil Engineer, Ext. 348



Date: 6/1/00
 Scale: NO SCALE
 Cad File: G:\MIA\SPEC\M1
 Drawn By: CLH
 Designed By: TR
 Approved By: R.H.
 Sheet: 2 of 2



Sheet Title: CONSTRUCTION SIGN DETAIL
 Project Title: M - 1 SHT. 2

Project Number	Project Location

REVISIONS	Number	Date	Description

The City of Enid
 401 West Owen K. Garrriott Road
 Enid, Oklahoma 73701
 Telephone: (800) 234-8446 Fax: (800) 234-8446
Contacts:
 Robert Hill, Director of Engineering Services, Ext. 344
 Jason Bivens, Civil Engineer, Ext. 348