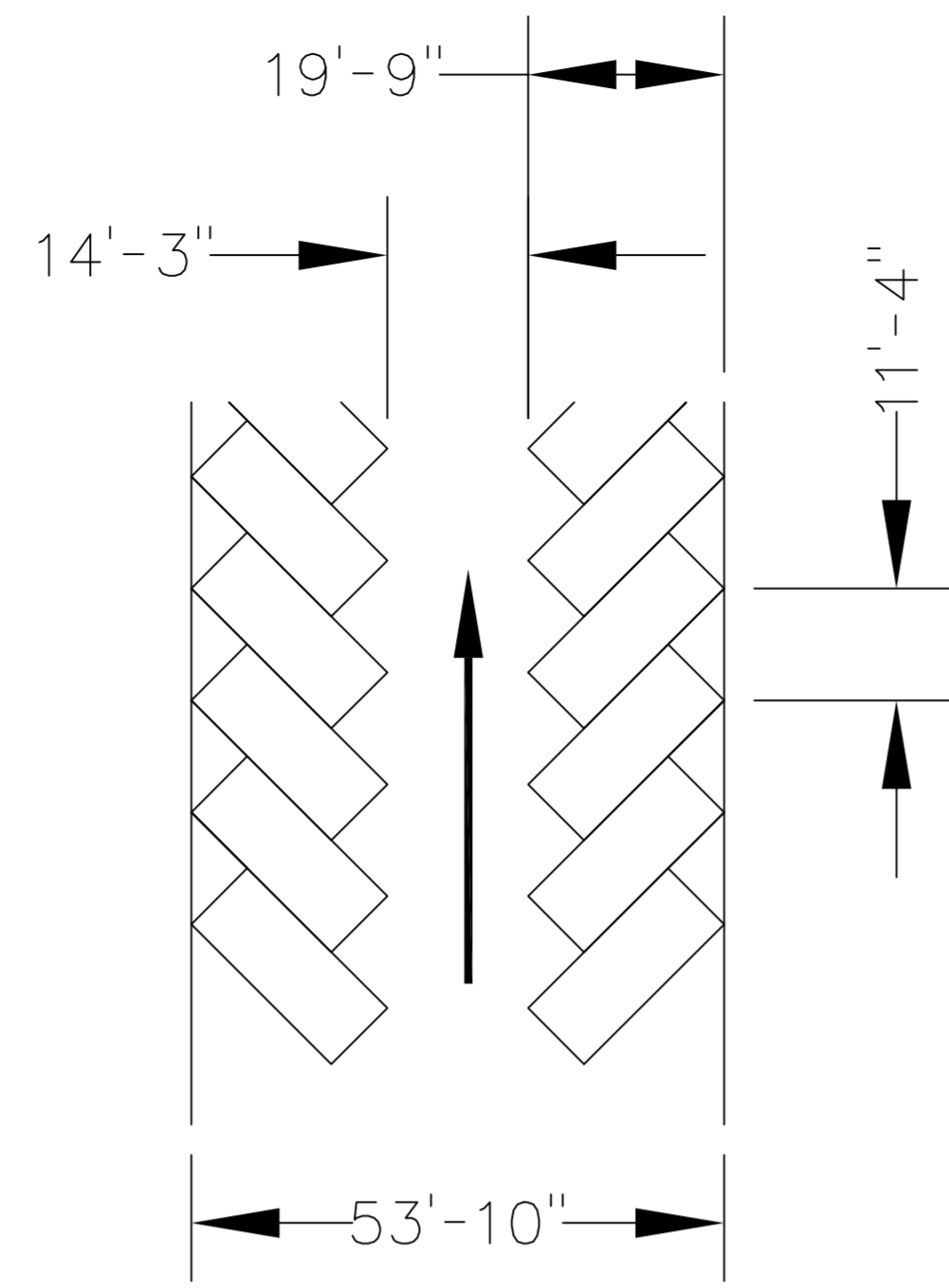
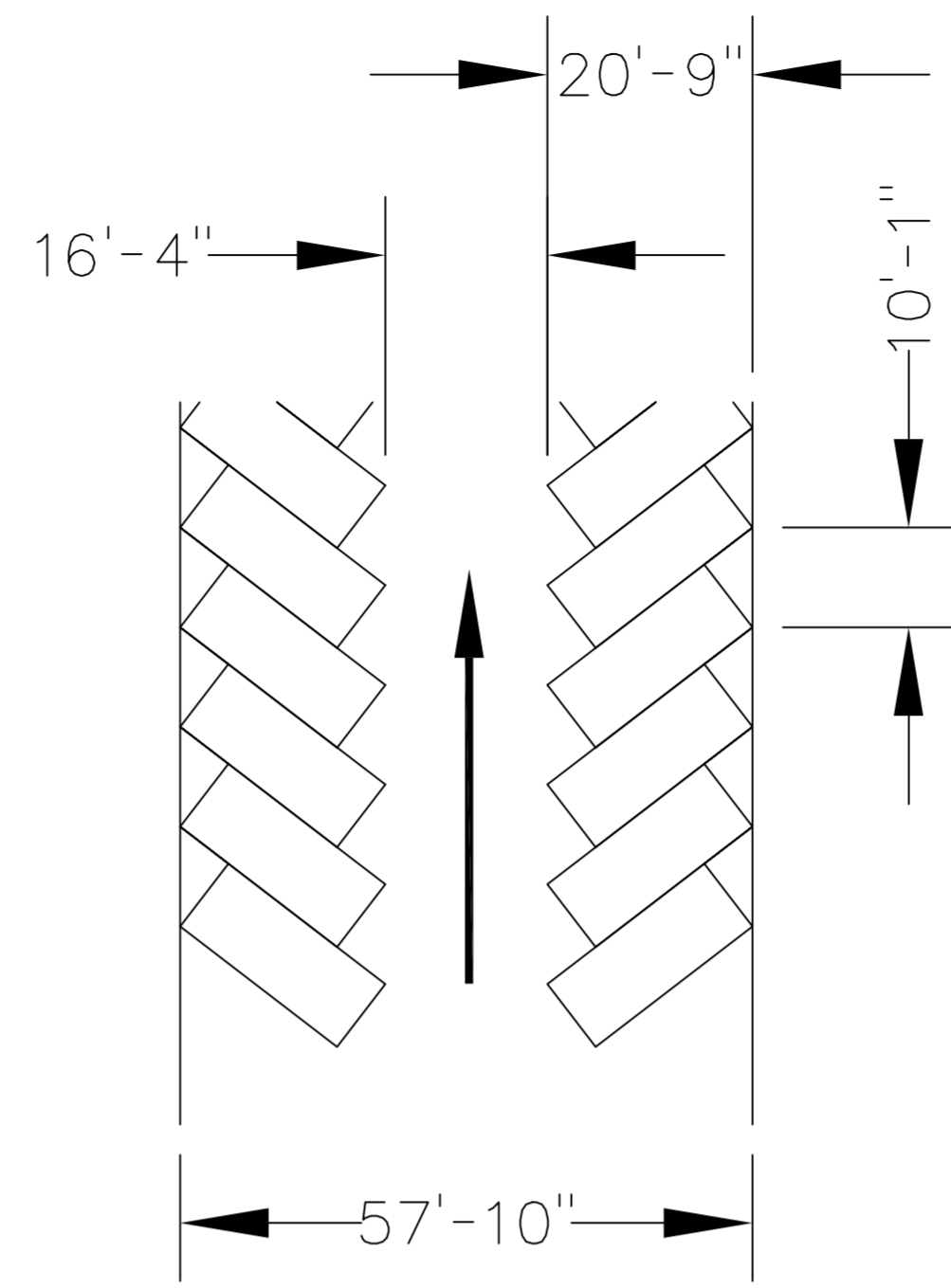


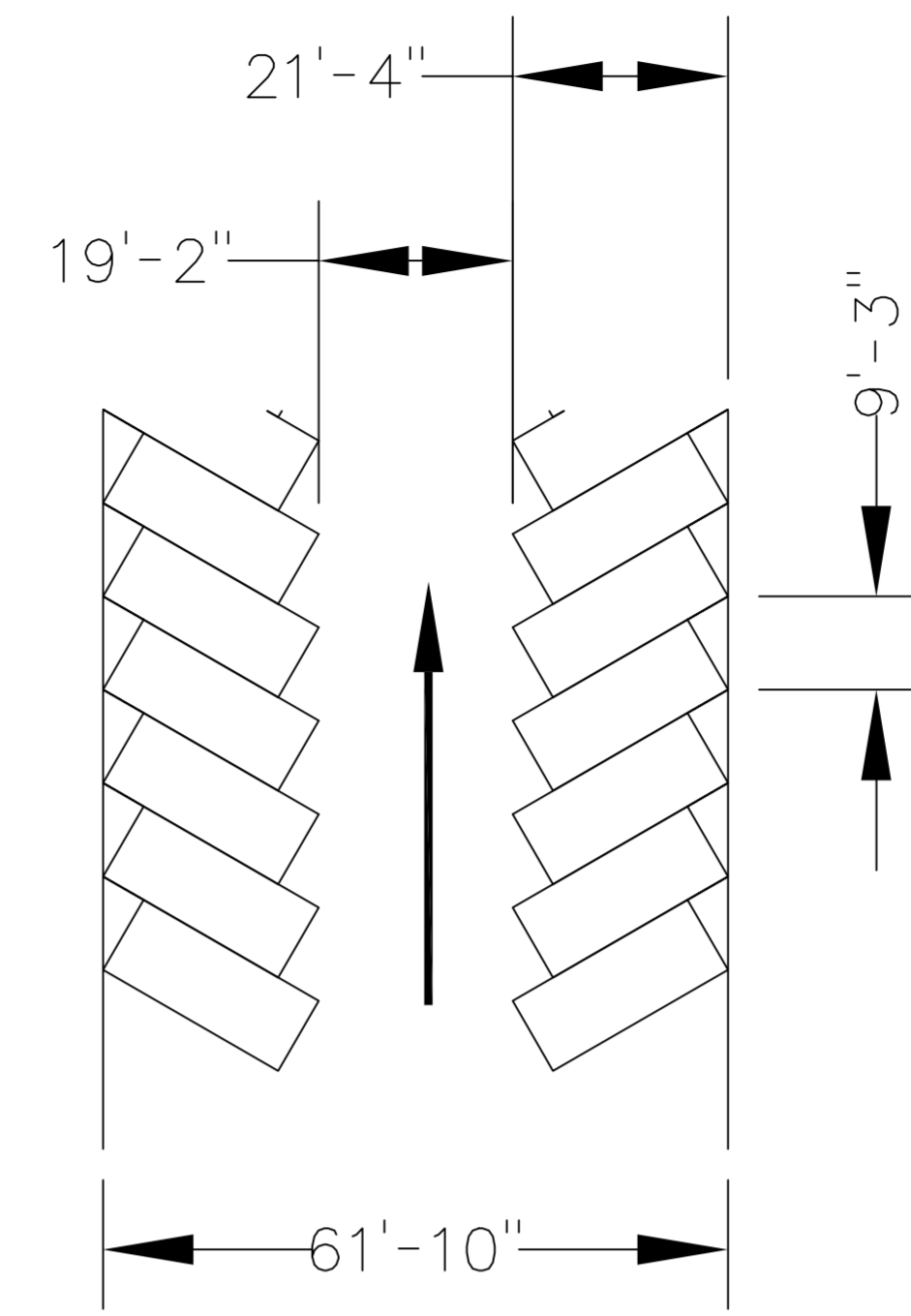
30°



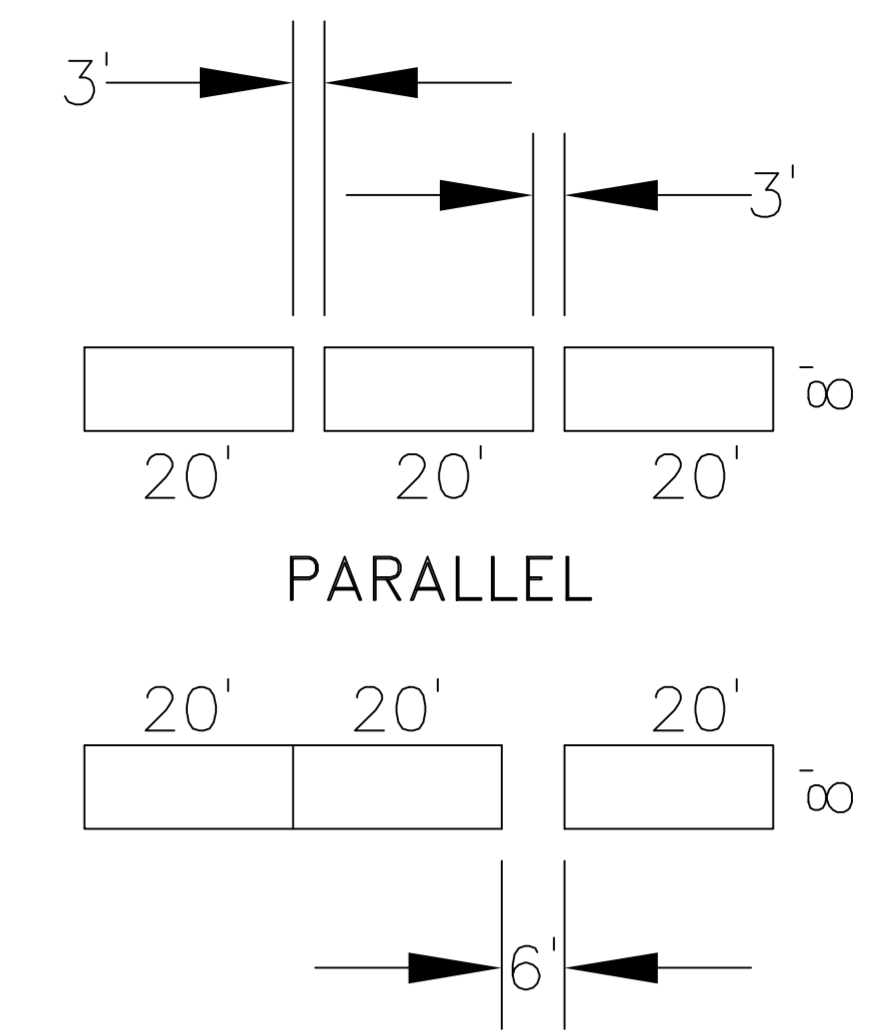
45°



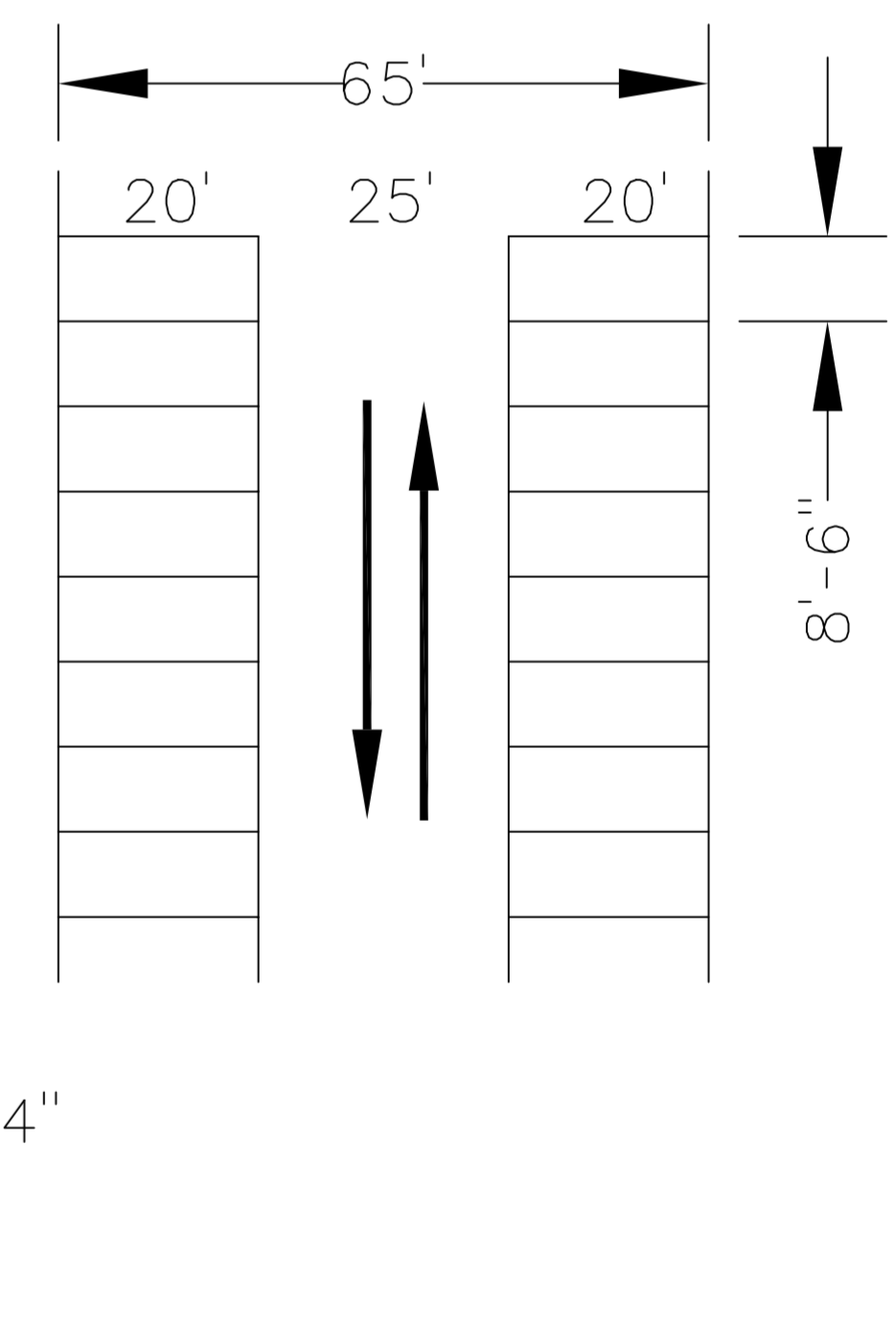
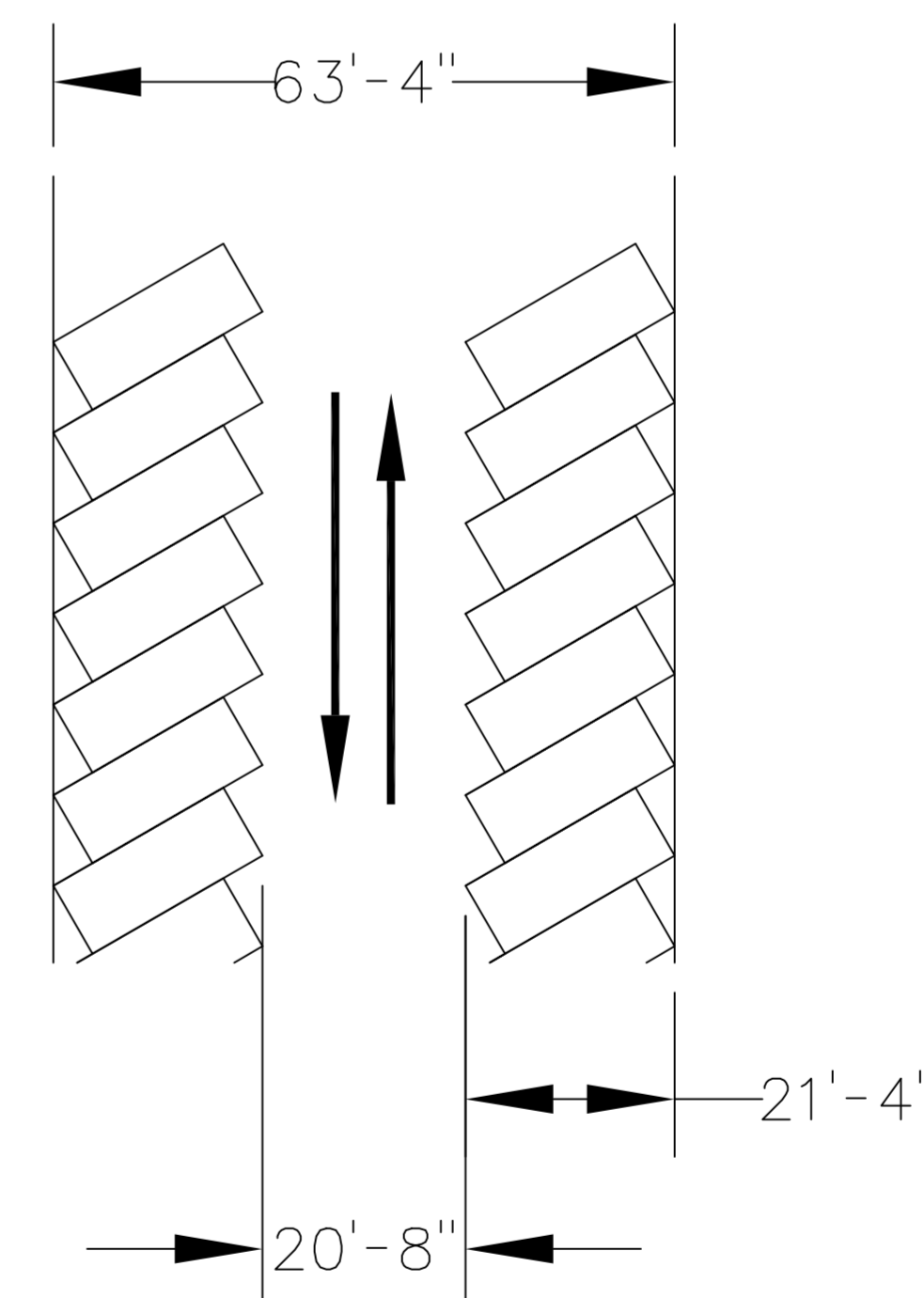
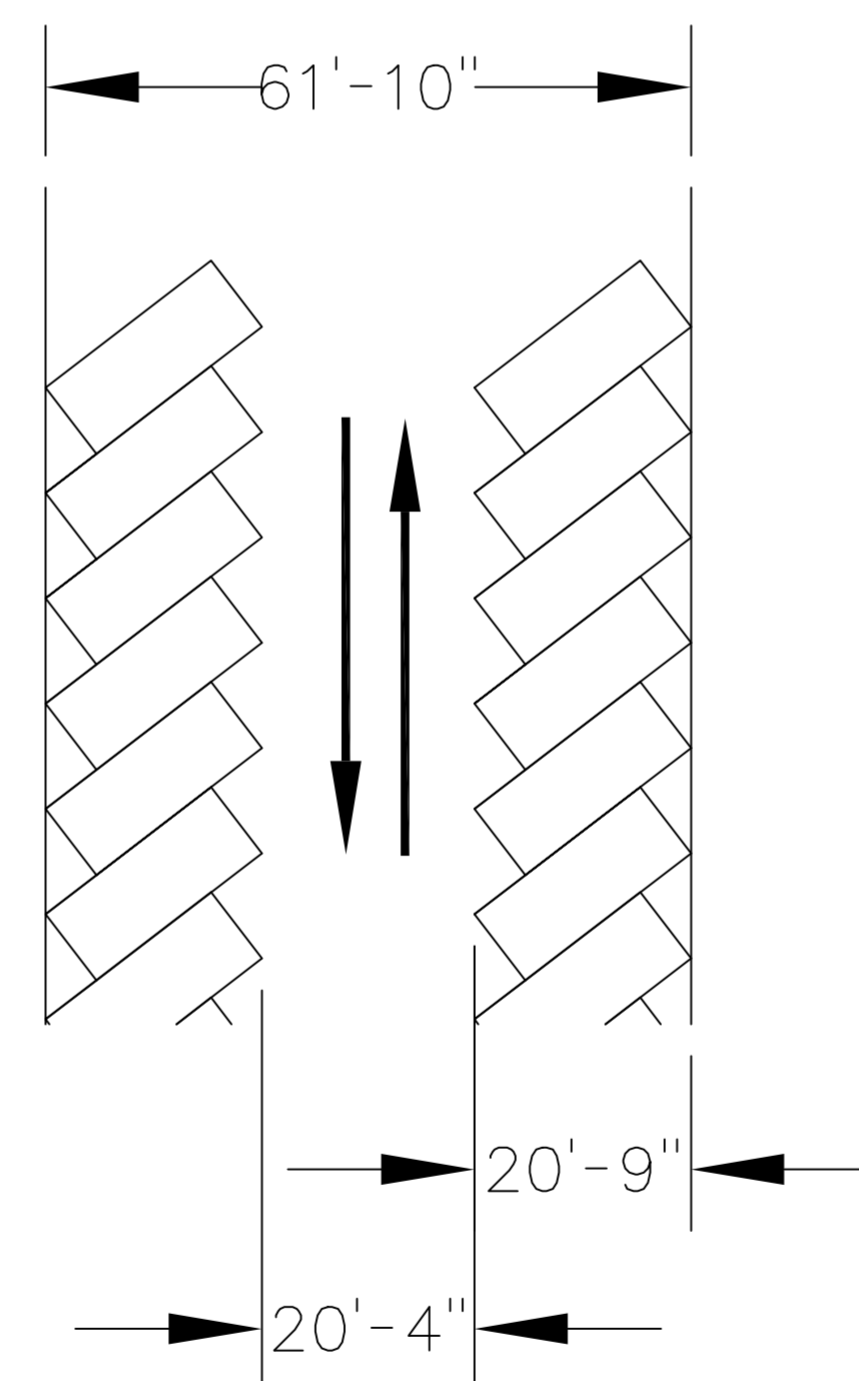
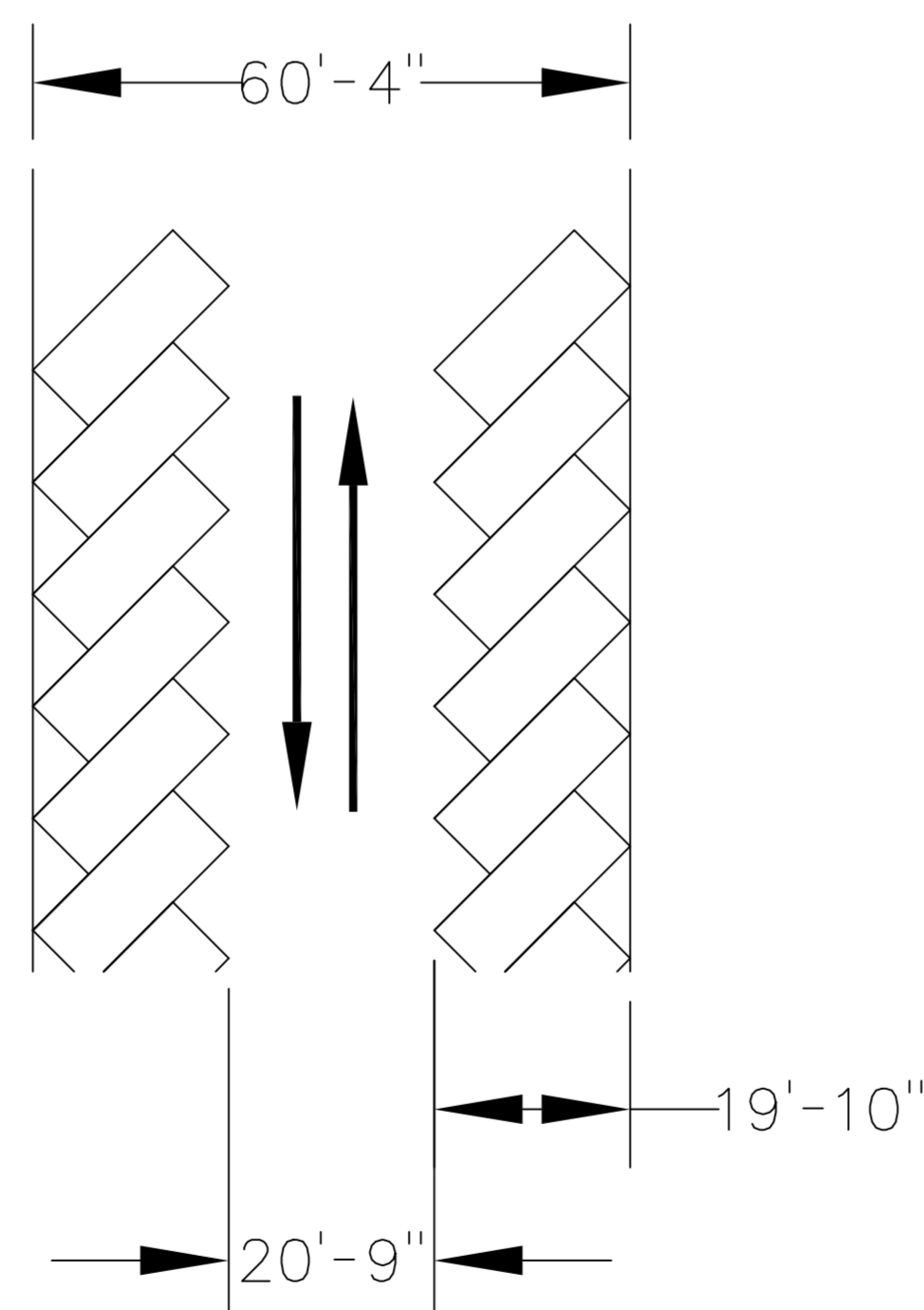
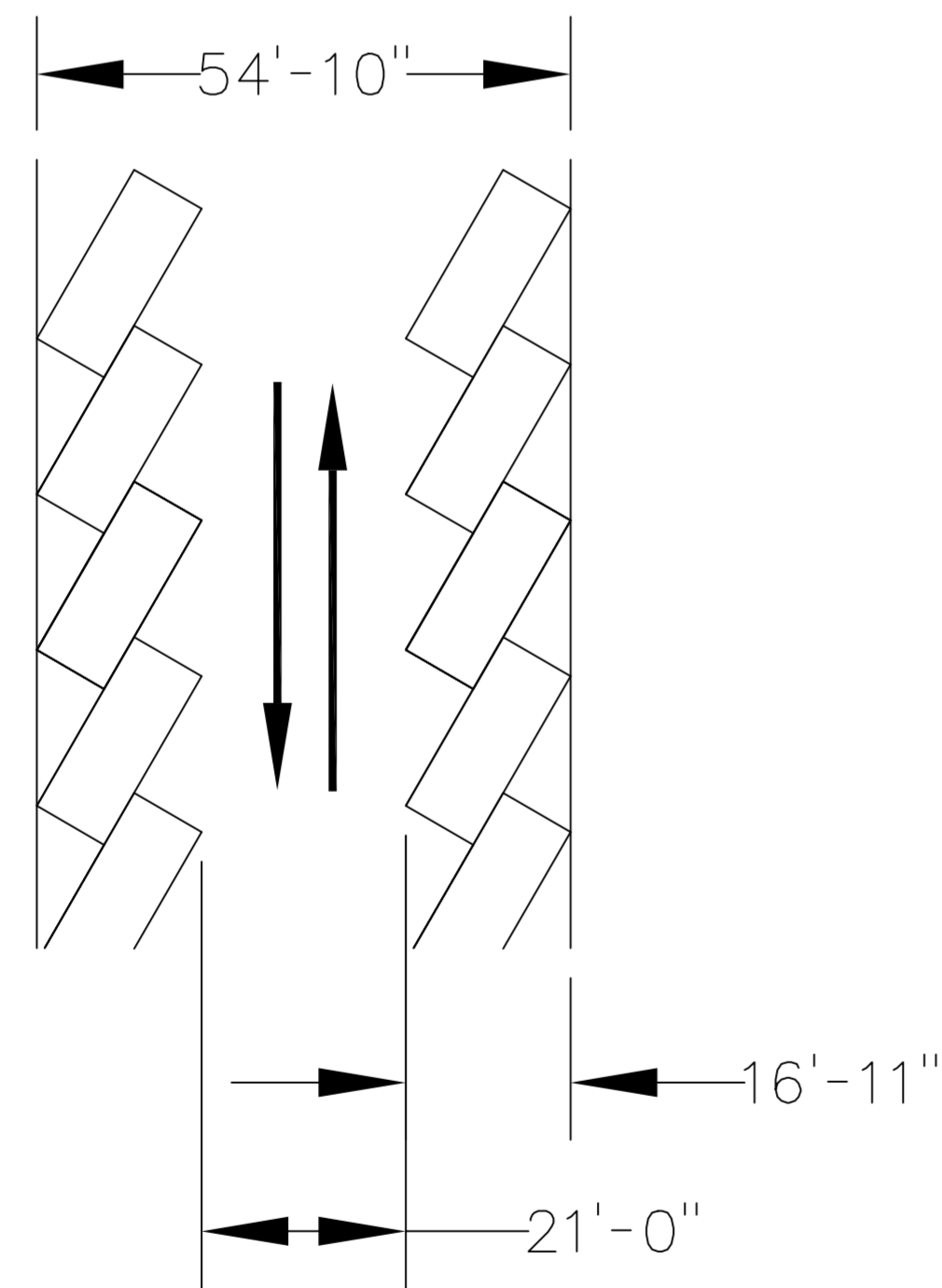
52.5°



60°



90°



	THE CITY OF ENID, OKLAHOMA			
	PARKING LOT STANDARDS			
DATE	DRAWN BY	SCALE	PROJECT NO.	
3/01	CLH	NONE		
REVISIONS	DESIGNED BY	APPROVED BY	SHEET 1 OF 1	
FILE	J.B.	R.H.		