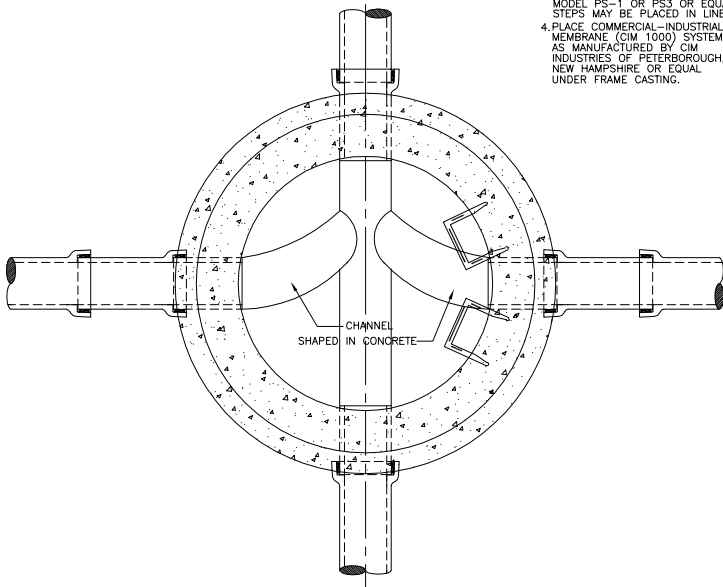
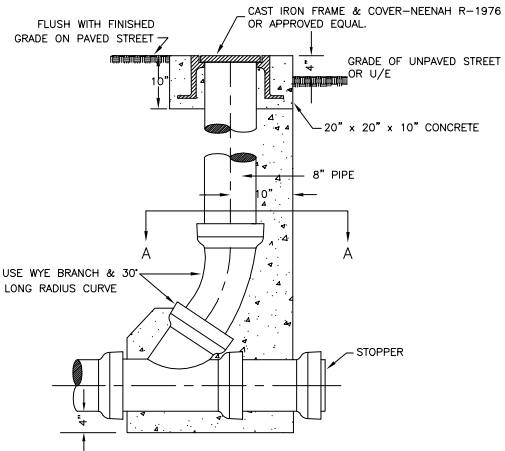


HALF SECTION

- NOTES:**
1. CONCRETE IN WALLS & BOTTOM SHALL BE 3,500 P.S.I. CONCRETE.
 2. CASTINGS SHALL CONFORM TO A.S.T.M. A48 FOR GRAY CAST IRON. SEE SPECIFICATIONS.
 3. STEPS SHALL BE M.A. INDUSTRIES, MODEL PS-1 OR PS-3 OR EQUAL. STEPS MAY BE PLACED IN LINE.
 4. PLACE COMMERCIAL-INDUSTRIAL MEMBRANE (CIM 1000) SYSTEM AS MANUFACTURED BY CIM INDUSTRIES OF PETERBOROUGH, NEW HAMPSHIRE OR EQUAL UNDER FRAME CASTING.

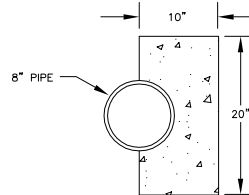


PLAN STANDARD MANHOLE DETAIL
NOT TO SCALE



CLEANOUT DETAIL "A"
NOT TO SCALE

NOTE:
TRENCH UNDER CONCRETE COLLAR TO BE COMPACTED TO DENSITY EQUAL TO ADJACENT UNDISTURBED SOIL.



SECTION A-A

MANHOLE HEIGHT IN FT.	DEPTH BELOW PIPE IN IN.	DEPTH OF BASE IN IN.
H	D	B
0' TO 8"	8"	12"
8' TO 12"	10"	14"
12' & ABOVE	12"	16"

The CITY OF ENID
The City Engineer
401 West 1st Street
P.O. Box 1728
Enid, Oklahoma 73701
Telephone: (800) 234-2300 Fax: (800) 234-8846



The City of Enid, Oklahoma

REVISIONS

Number	Date	Description	Title Sheet
1	10/19/94		

Project Number:

Project Location:

Sheet Title:

Engr. Seal:



Date: 8/1/81

Scale: NO SCALE

Cad File: g:\DATA\SPCS\SWD7-8

Drawn By: P.B.

Designed By: R.H.

Approved By: R.H.

Sheet: of

SWD - 7