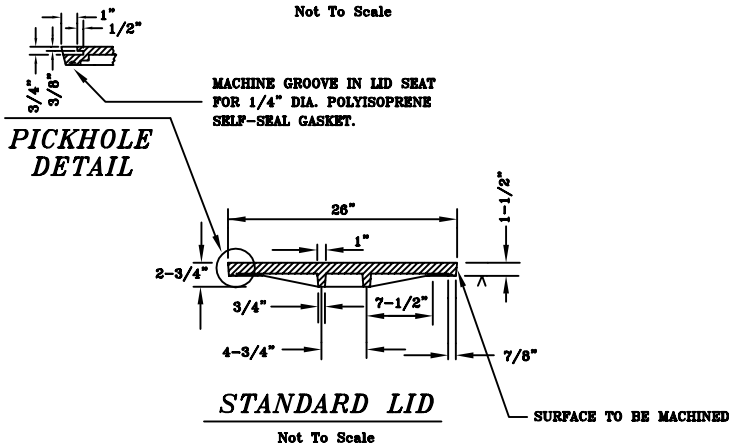


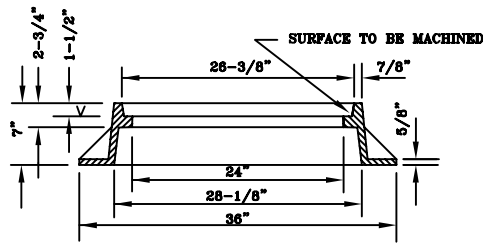
PLAN

Not To Scale



STANDARD LID

Not To Scale



STANDARD FRAME

Not To Scale

GENERAL NOTES:

CAST IRON FRAME & COVER - NEEHAH R-1642 (SHOWN) OR DEETER FOUNDRY 1247 SERIES OR APPROVED EQUAL.
WITH SELF-SEALING LID (O-RING).

MATERIAL: CAST GRAY IRON ASTM A-48, CLASS 35B
COMPONENT NO.: FRAME; 1370 - 0002, LID; 1642 - 0073
FINISH: NO PAINT

The City Of Enid
401 West Oklahoma
Enid, Okla. 73703
Telephone: (505) 234-0000 Fax: (505) 234-8946
Contacts:
Robert Hitt, Director of Engineering Services, Ext. 344
Jason Brinkley, Civil Engineer, Ext. 348



REVISIONS	Description	Date	Number

Project Number:	Project Location:
STANDARD MANHOLE FRAMES & COVER	SWD - 3
Sheet Title:	Project Title:



Date:	6/1/00
Scale:	NO SCALE
Code File:	G:\DATA\SPES\SWD3-4
Drawn By:	P.B./C.L.H.
Designed By:	R.H.
Approved By:	R.H.
Sheet:	of