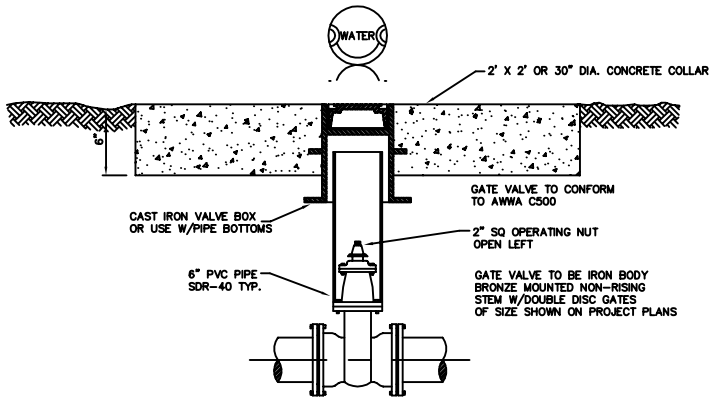


DETAIL OF AIR/VACUUM - RELEASE VALVE

NOT TO SCALE



**STANDARD DETAIL
GATE VALVE & VALVE BOX**

NOT TO SCALE

The City of Enid
401 West Owen Street
P.O. Box 1788
Enid, Oklahoma 73701
Telephone: (800) 251-0600 Fax: (800) 251-0848

Contacts:

Robert Hitt, Director of Engineering Services, Ext. 344
Jesse Britney, Civil Engineer, Ext. 348



The City of Enid, Oklahoma

REVISIONS	
Number	Description

Project Number:	
Project Location:	

Sheet Title:	MISCELLANEOUS WATER LINE CONSTRUCTION STANDARD
Project Title:	SWD - 2 Sht. 2



Date:	6/1/00
Scale:	NO SCALE
Cad File:	6:\DATA\SPES\SWD2
Drawn By:	P.B./C.L.H.
Designed By:	R.H.
Approved By:	R.H.
Sheet:	of