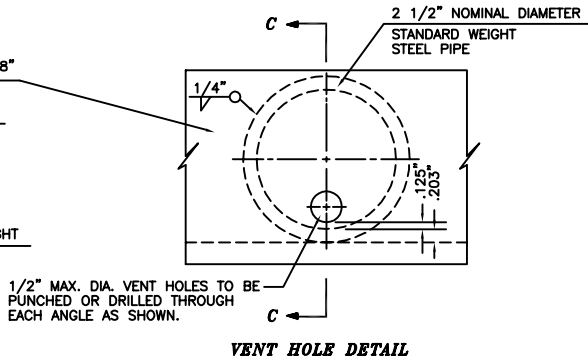
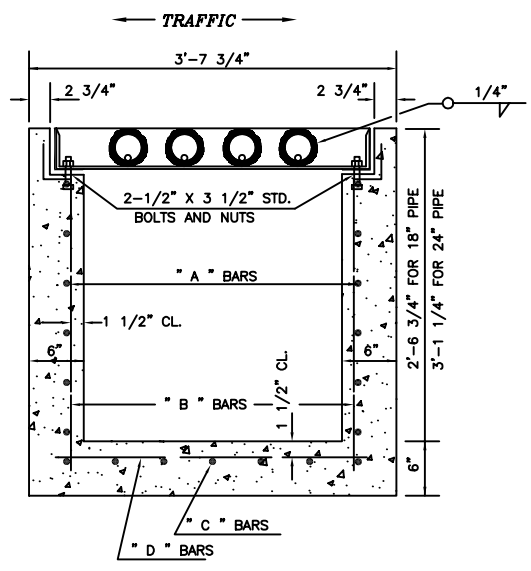


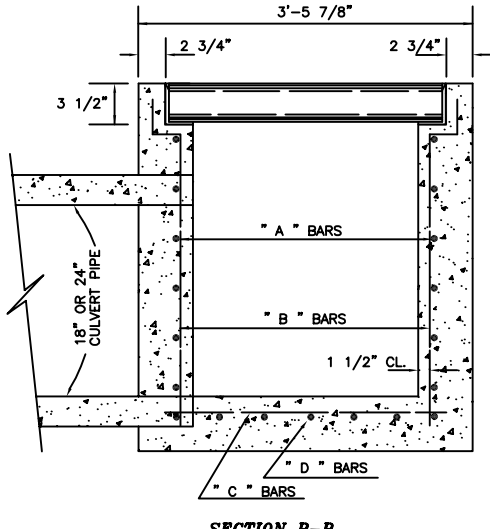
GRATE 3'-1 1/2" x 2'-11 7/8" OVERALL
PLAN



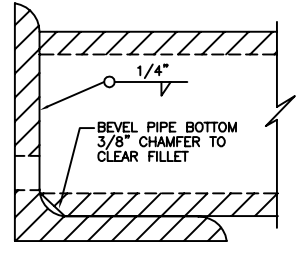
VENT HOLE DETAIL



SECTION A-A



SECTION B-B



SECTION C-C

NOTE: SEE "GENERAL NOTES FOR TYPE 1 & TYPE 2 MEDIAN DRAIN AND GRATE TYPE 2" ON TYPE 1 GRATE DRAWING. SHEET 1

TYPE 2 GRATE

The City Of Enid
401 West Owen A. Cornett Road
Enid, Okla. 73702
Telephone: (405) 234-5000 Fax: (405) 234-8948



Contacts:

Robert Hitt, Director of Engineering Services, Ext. 344
Jason Brinkley, Civil Engineer, Ext. 348

Number	Date	Description

Project Number:	Project Location:

Sheet Title: **STANDARD MEDIAN DRAIN AND GRATE TYPE 2**

Project Title: **DD - 8 SHT. 2**



Date: 6/1/00
Scale: NO SCALE
Cad File: G:\DATA\SPCS\DOB
Drawn By: P.B./C.L.H.
Designed By: R.H.
Approved By: R.H.
Sheet: of