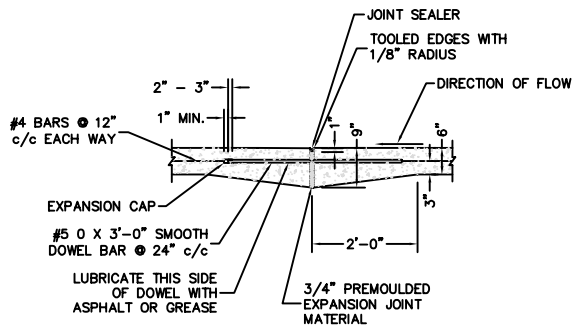
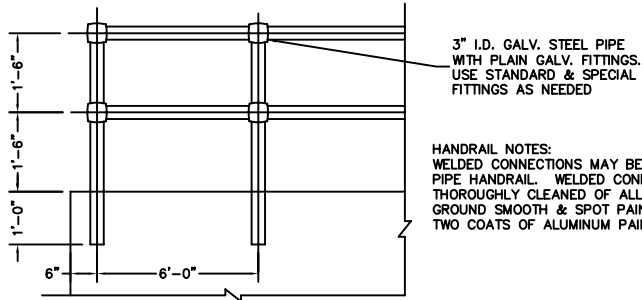


ALTERNATE DETAIL
(USING WELDED CONNECTIONS ON PIPE HANDRAIL)

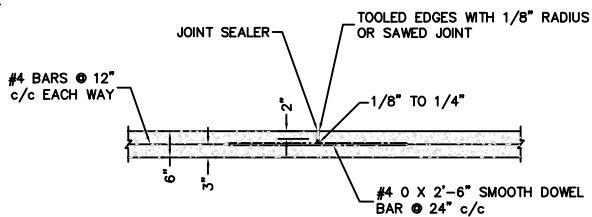


TYPICAL TRANSVERSE EXPANSION JOINT
SPACED AT 100 FOOT C/C MAX.

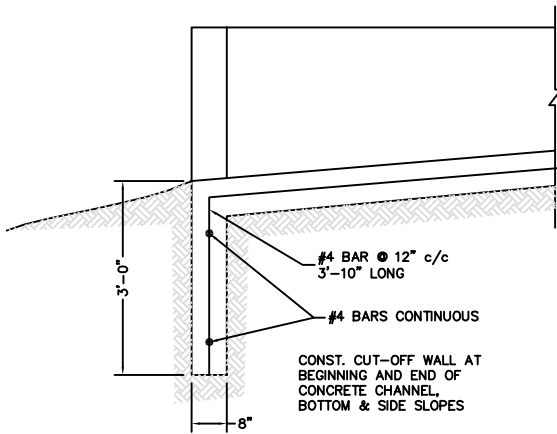


PIPE HANDRAIL DETAIL

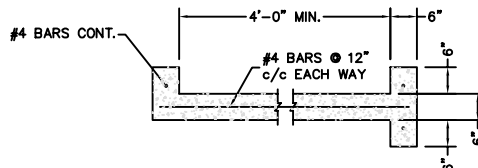
HANDRAIL NOTES:
WELDED CONNECTIONS MAY BE USED FOR
PIPE HANDRAIL. WELDED CONNECTIONS SHALL BE
THOROUGHLY CLEANED OF ALL LOOSE SCALE,
GROUND SMOOTH & SPOT PAINTED WITH
TWO COATS OF ALUMINUM PAINT.



TRANSVERSE DUMMY GROOVE CONTRACTION JOINT
SPACED AT 12-1/2 FOOT C/C

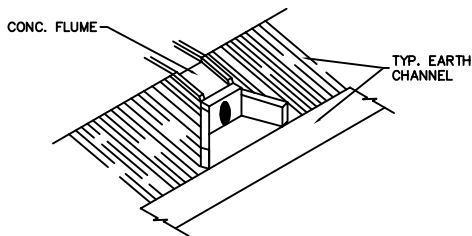


CUT-OFF WALL DETAIL

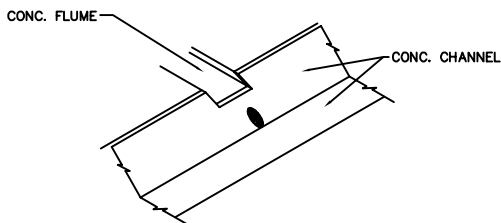


SECTION B-B
(SYMMETRICAL)

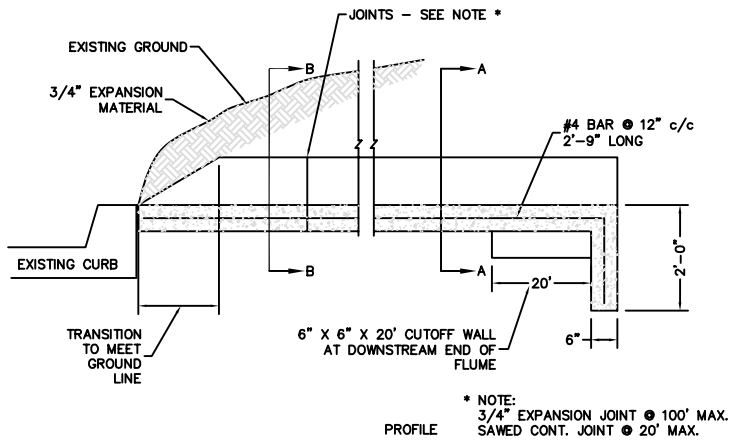
SECTION A-A
(SYMMETRICAL)



VIEW OF FLUME
AT EARTH CHANNEL



VIEW OF FLUME
AT CONCRETE CHANNEL



* NOTE:
3/4" EXPANSION JOINT @ 100' MAX.
SAWED CONT. JOINT @ 20' MAX.

CONCRETE FLUME DETAIL

The City of Enid
401 West Owen K. Corbitt Road
Enid, Okla. 73701
Telephone: (800) 233-0900 Fax: (800) 234-8946

CONTACTS:

Robert HRL, Director of Engineering Services, Ext. 344
Jean Brink, Civil Engineer, Ext. 346



The City of Enid, Oklahoma

REVISIONS

Number	Date	Description

Project Number:

Project Location:

FLUME & CHANNEL LINER DETAILS

DD-21

Sheet Title:

Engr. Seal:

Date: 6/1/00

Scale: nts

Cad File: c:\DATA\SPCS\4421

Drawn By: CLH

Designed By: JB

Approved By: RH

Sheet: 1

of 1